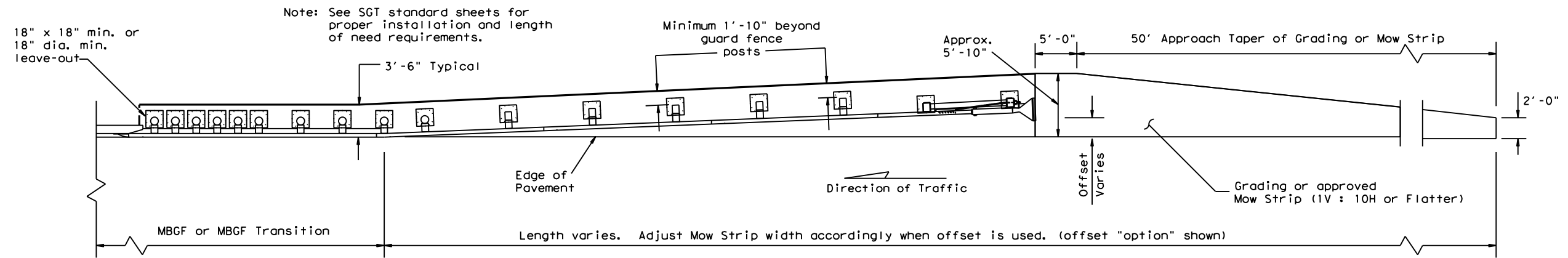


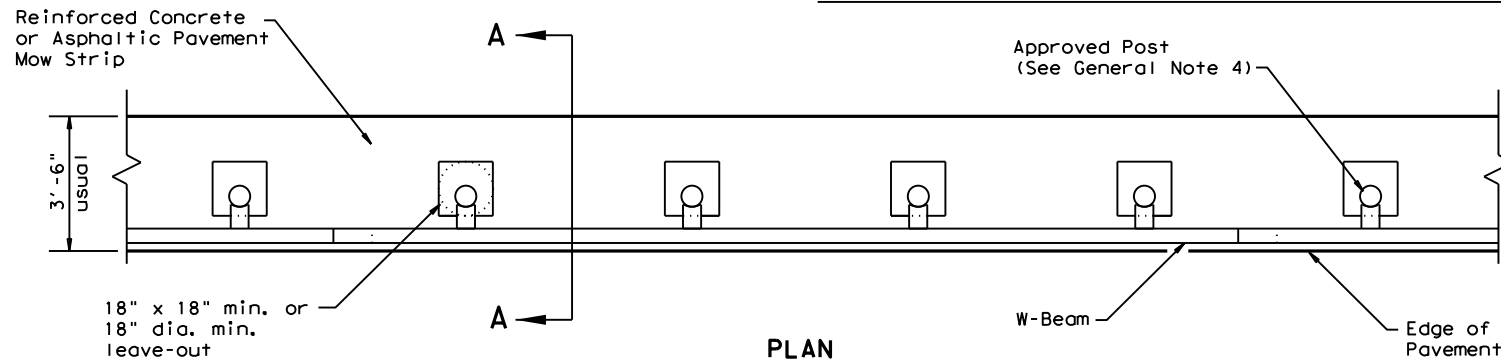
DISCLAIMER: THE USE OF THIS STANDARD IS GOVERNED BY THE "TEXAS ENGINEERING PRACTICE ACT". NO WARRANTY OF ANY KIND IS MADE BY TxDOT FOR ANY PURPOSE WHATSOEVER. TxDOT ASSUMES NO RESPONSIBILITY FOR THE CONVERSION OF THIS STANDARD TO OTHER FORMATS OR FOR INCORRECT RESULTS OR DAMAGES RESULTING FROM ITS USE.



GRADING AND MOW STRIP AT GUARDRAIL END TREATMENTS

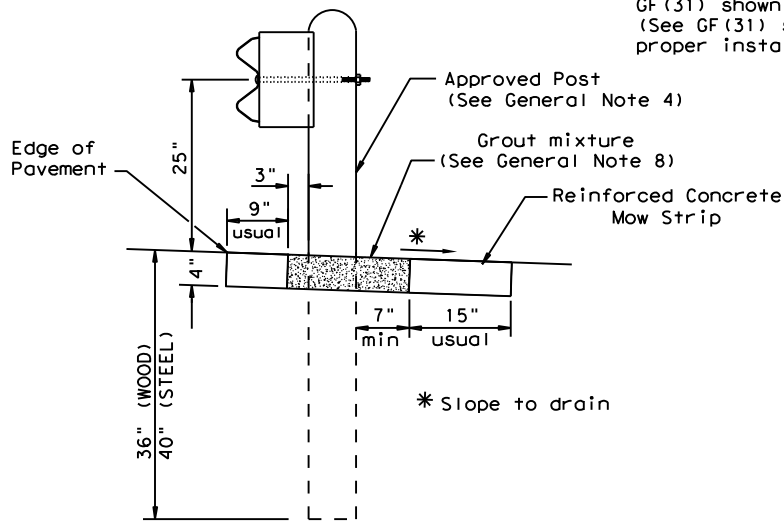
Note: Site Condition(s)

Site conditions may exist where grading is required for the proper installation of metal guard fence and end treatments. Approach grading or mow strip may be decreased or eliminated, as directed by the Engineer.



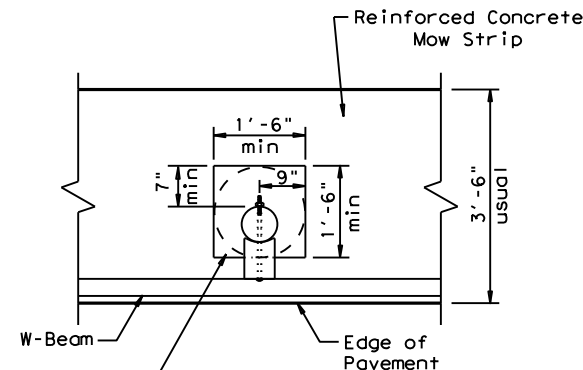
PLAN

GF(31) shown with Mow Strip (See GF(31) standard sheet for proper installation)



SECTION A-A

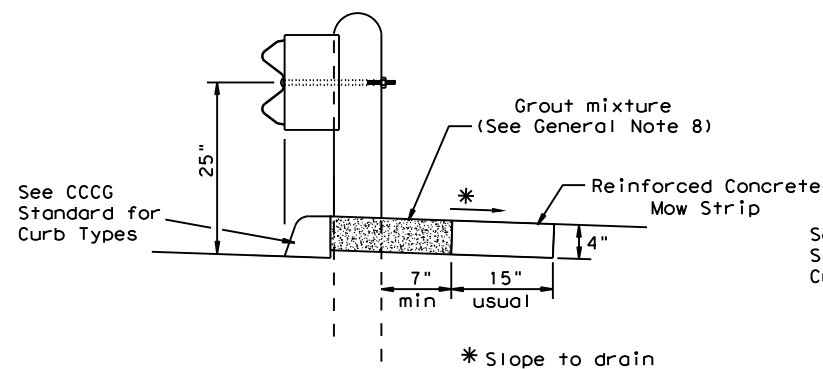
Typical



MOW STRIP DETAIL

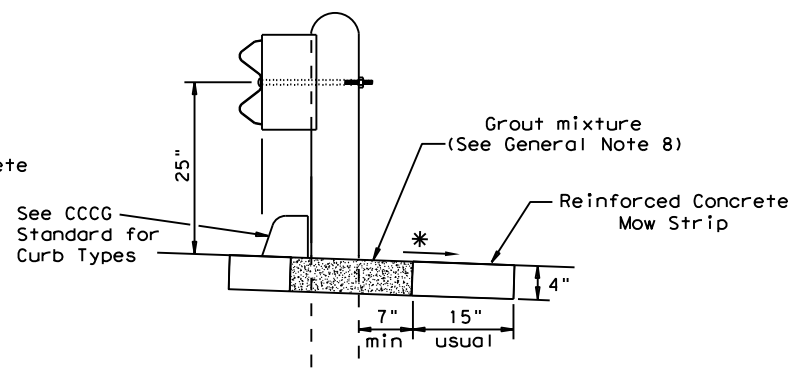
Reinforced Concrete Mow Strip with 18" x 18" Square or 18" Dia. minimum leave-out.

- GENERAL NOTES**
1. This mow strip design is for use with metal beam guard fence, guard fence transitions, and guard fence end treatments. See applicable GF(31) MBGF or GF(31) Transition Standard sheet for additional information.
 2. Mow strips shall be reinforced concrete with (wire mesh or synthetic fiber), as shown on the plans and will be paid for under the pertinent bid item. Reinforced concrete shall be placed in accordance with Item 432, "Riprap." The use of the synthetic fiber in lieu of steel reinforcing is acceptable, provided the fiber producer is on the Department Material Producer List (MPL), maintained by TxDOT, Construction Division.
 3. The leave-out behind the post shall be a minimum of 7".
 4. Only steel (W6 x 8.5 or W6 x 9.0), or 7 1/2" Dia. round wood posts are acceptable for use in the mow strip. See GF(31) Standard for additional details.
 5. Other curb placement options may be used. Curbs are not considered part of the mow strip and will be paid for under other pertinent bid item.
 6. Thickness of the mow strip will be 4".
 7. The limits of payment for reinforced concrete will include leave-outs for the posts.
 8. The leave-outs shall be filled with a Grout mixture consisting of: 2719 pounds sand, 188 pounds Type 1 or II cement, and 550 pounds of water per cubic yard, with a 28-day compressive strength of approximately 230 psi or less. Provide grout with a consistency that will flow into and completely fill all voids. Due to auger size, larger leave-out dimensions are acceptable from both an impact performance and maintenance repair standpoint (Suggested Maximum leave-out of 20"). Payment for furnishing and placing the grout mixture will be subsidiary to the pay item of riprap mow strip.



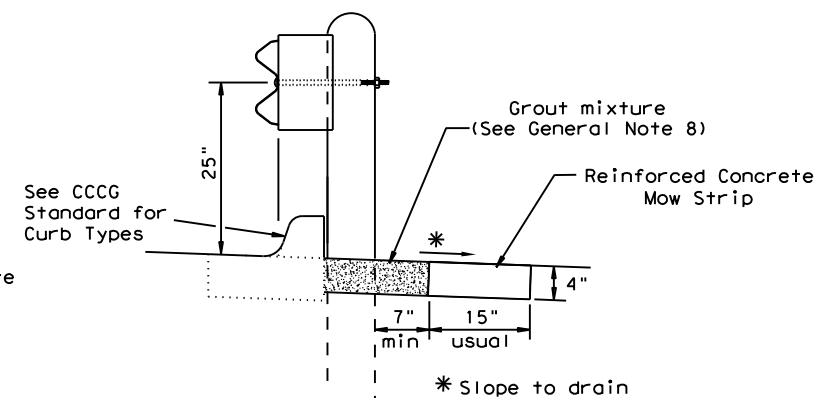
CURB OPTION (1)

This option will increase the post embedment throughout the system.



CURB OPTION (2)

Curb shown on top of mow strip



CURB OPTION (3)

		Design Division Standard	
METAL BEAM GUARD FENCE (MOW STRIP) TL-3 MASH COMPLIANT GF(31)MS-19			
FILE: gf31ms19.dgn	DN: TxDOT	CK: KM	DW: VP
© TxDOT: NOVEMBER 2019	CONT	SECT	JOB
REVISIONS			
DIST	COUNTY	SHEET NO.	

DATE: FILE: