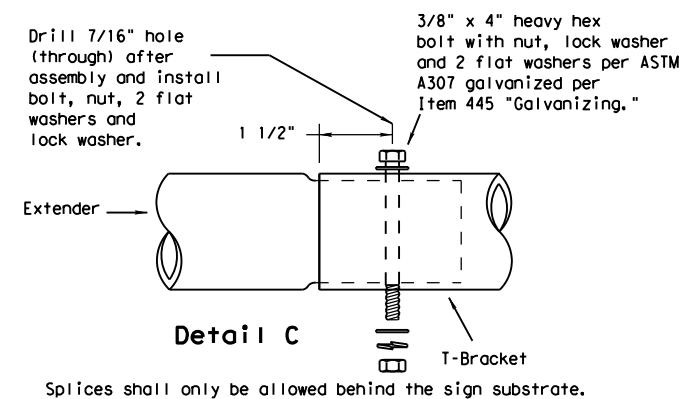
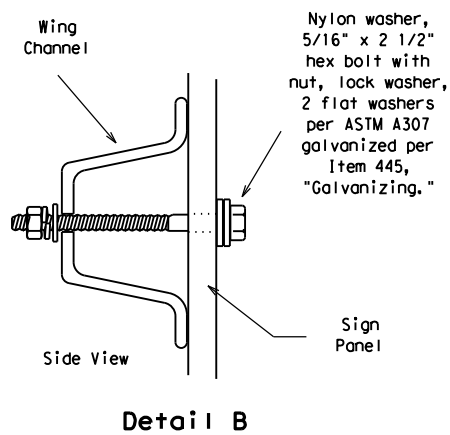
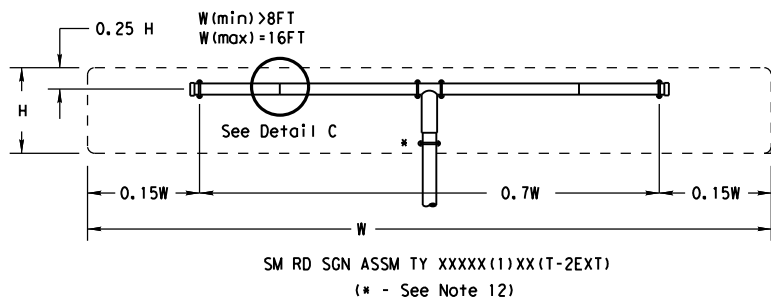


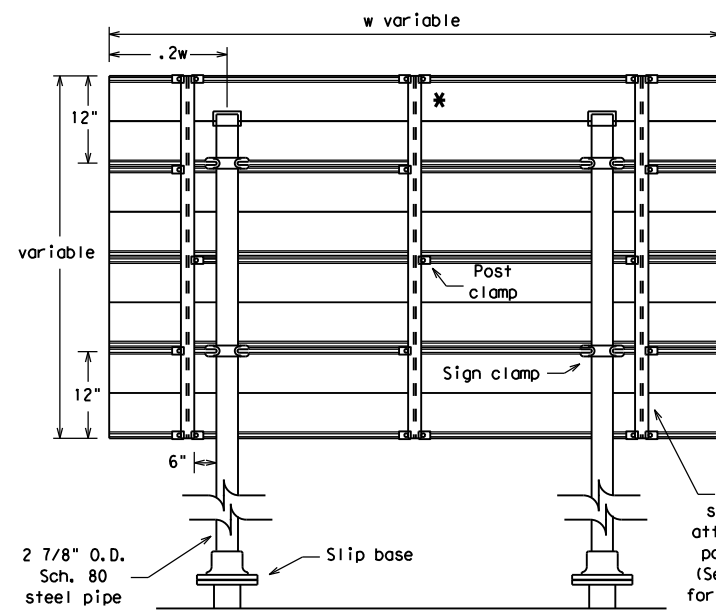
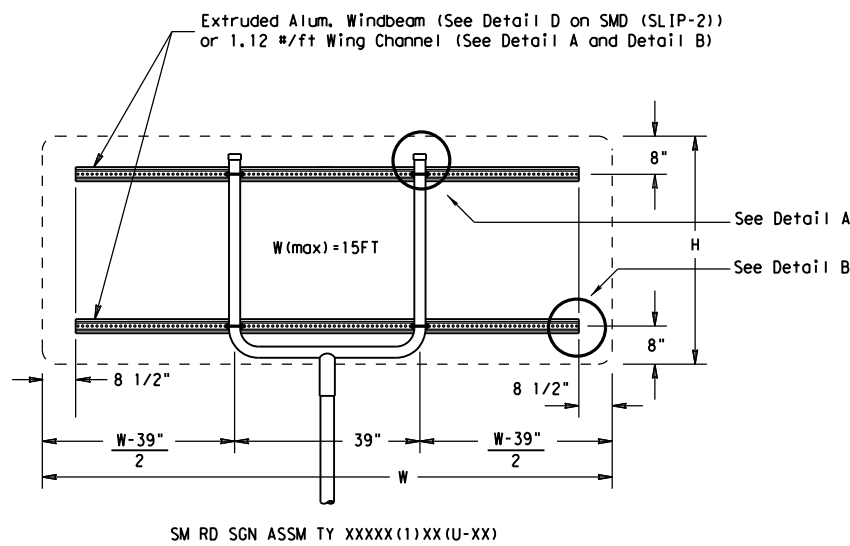
DISCLAIMER: The use of this standard is governed by the "Texas Engineering Practice Act". No warranty of any kind is made by TxDOT for any purpose whatsoever. TxDOT assumes no responsibility for the conversion of this standard to other formats or for incorrect results or damages resulting from its use.

DATE:  
FILE:

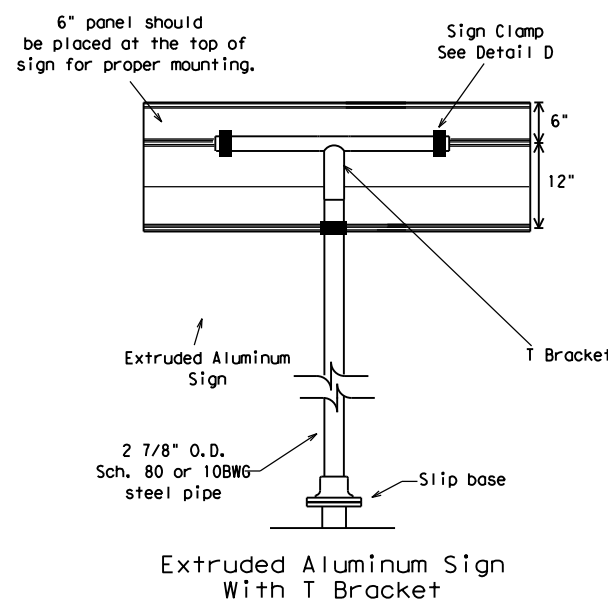
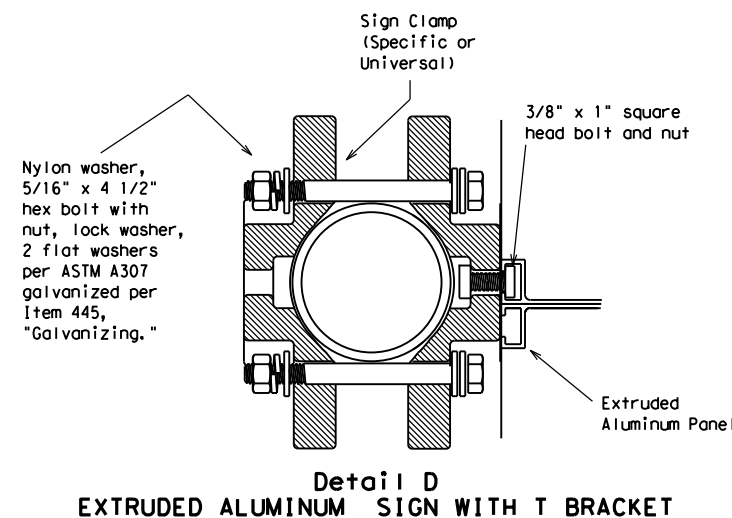
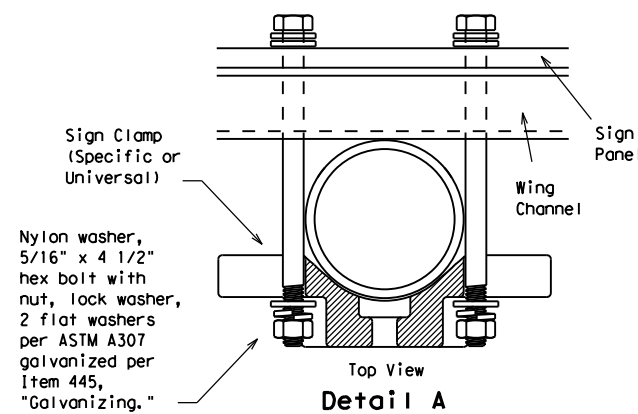
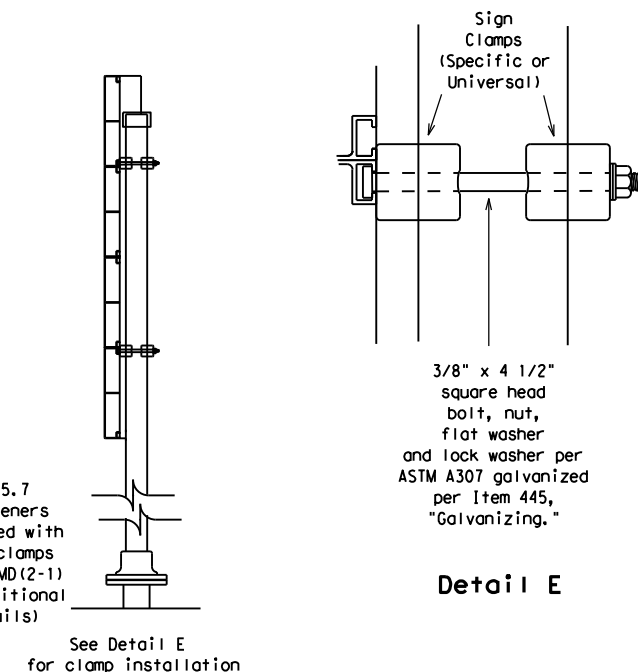


GENERAL NOTES:

- | SIGN SUPPORT | # OF POSTS | MAX. SIGN AREA |
|--------------|------------|----------------|
| 10 BWG       | 1          | 16 SF          |
| 10 BWG       | 2          | 32 SF          |
| Sch 80       | 1          | 32 SF          |
| Sch 80       | 2          | 64 SF          |
- The Engineer may require that a Schedule 80 post be used in place of a 10 BWG where a sign height is abnormally high due to a fill slope.
- Sign supports shall not be spliced except where shown. Sign support posts shall not be spliced.
- Aluminum sign blanks shall conform to Departmental Material Specifications DMS-7110 and shall have the following minimum thicknesses: 0.080 for signs less than 7.5 sq. ft., 0.100 for signs 7.5 to 15 sq. ft., and 0.125 for signs greater than 15 sq. ft.
- Signs that require specific supports due to reasons in addition to windloading are indicated on the "REQUIRED SUPPORT" table on this sheet.
- For horizontal rectangular signs fabricated from flat aluminum, T-brackets are used for signs 24 inches or less in height. U-brackets are used for signs of greater height.
- When two triangular slipbase supports are used to support a single sign, they shall not be "rigidly" connected to each other except through the sign panel. This will allow each support to act independently when impacted by an errant vehicle.
- Wing channel shall meet ASTM A 1011 SS Gr 50 and be galvanized per ASTM A 123.
- Excess pipe, wing channel, or windbeam shall be cut off so that it does not extend beyond the sign panel (i.e., excess support shall not be visible when the sign is viewed from the front.) Repair galvanized coating at cut support ends per Item 445, "Galvanizing."
- Sign blanks shall be the sizes and shapes shown on the plans.
- Additional sign clamp required on the "T-bracket" post for 24 inch high signs. Place the clamp 3 inches above bottom of sign when possible.
- Post open ends shall be fitted with Friction Caps.



\* Additional stiffener placed at approximate center of signs when sign width is greater than 10'.



Use Extruded Alum. Windbeam as stiffeners See SMD (2-1) for additional details  
See Detail E for clamp installation

		REQUIRED SUPPORT	
		SIGN DESCRIPTION	SUPPORT
Regulatory	48-inch STOP sign (R1-1)	TY 10BWG(1)XX(T) TY 10BWG(1)XX(P-BM)	
	60-inch YIELD sign (R1-2)	TY 10BWG(1)XX(T) TY 10BWG(1)XX(P-BM)	
	48x16-inch ONE-WAY sign (R6-1)	TY 10BWG(1)XX(T) TY 10BWG(1)XX(P-BM)	
	36x48, 48x36, and 48x48-inch signs	TY 10BWG(1)XX(T)	
	48x60-inch signs	TY S80(1)XX(T)	
Warning	48x48-inch signs (diamond or square)	TY 10BWG(1)XX(T)	
	48x60-inch signs	TY S80(1)XX(T)	
	48-inch Advance School X-ing sign (S1-1)	TY 10BWG(1)XX(T)	
	48-inch School X-ing sign (S2-1)	TY 10BWG(1)XX(T)	
	Large Arrow sign (W1-6 & W1-7)	TY 10BWG(1)XX(T)	

Texas Department of Transportation  
Traffic Operations Division

SIGN MOUNTING DETAILS  
SMALL ROADSIDE SIGNS  
TRIANGULAR SLIPBASE SYSTEM  
SMD(SLIP-3)-08

© TxDOT July 2002	DN: TxDOT	CK: TxDOT	DW: TxDOT	CK: TxDOT
9-08	REVISIONS	CONT	SECT	JOB
		DIST	COUNTY	SHEET NO.